

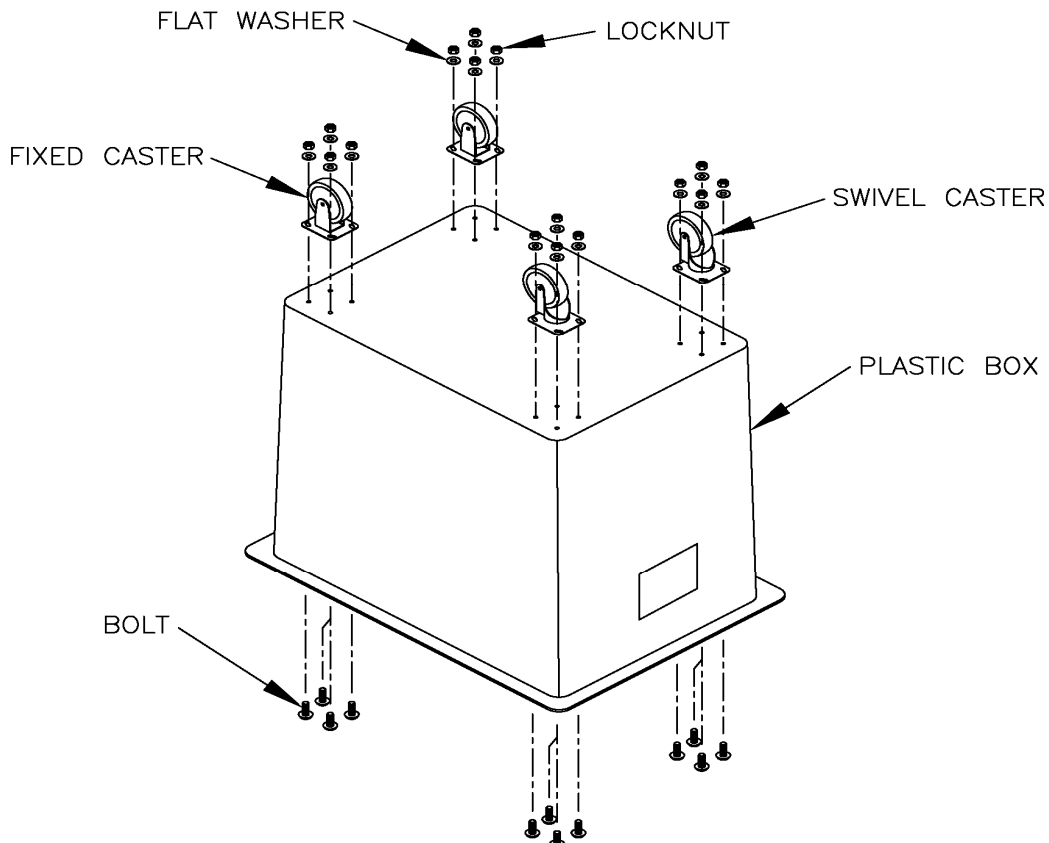
For P/Ns 272508-272527 (8-20 Bushels, 64-160 Gallon Capacity Trucks) See Page 2

Parts List

Quantity	Description
1	Plastic Box (with 16 Clearance Holes)
16	5/16-18 X 3/4" Lg. Hex Head Bolt
16	5/16 Standard Plated Washer
16	5/16-18 Plated Hex Jam Nut
2	Fixed Caster with 5" Diameter Wheels
2	Swivel Caster with 5" Diameter Wheels

Installation

- 1) Position a fixed caster's mounting plate on the outside, bottom part of the plastic box, aligning it's holes with any 4 patterned holes in the box.
- 2) Insert a round head machine screw through the inside, bottom part of the box and through a hole in the fixed caster's plate.
- 3) Insert a washer over the screw.
- 4) Assemble the jam nut finger tight.
- 5) Repeat steps 2 through 4 to assemble the remaining 3 screws to the caster.
- 6) Wrench tighten the 4 nuts.
- 7) Install the second fixed caster on the same, narrow side of the box as the first caster (repeating steps 1 through 6).
- 8) Install the 2 remaining swivel casters at the opposite, narrow end of the plastic box in (the same manner as the fixed casters).



For P/Ns 272503-272507 (4 Bushels, 32 Gallon Capacity Trucks) See Page 1

Parts List

Quantity	Description
1	Plastic Box (with 4 Threaded Inserts for Caster Assembly)
1	Plywood Base, Cut To Size (with 16 Clearance Holes)
4	3/8-16 X 1 1/2" Lg. Hex Head Plated Machine Screws
12	3/8-16 X 1 1/4" Lg. Elevator Bolts
4	3/8 Lockwasher
16	3/8 Flatwasher
12	3/8-16 Locknut
2	Fixed Casters with 5" Diameter Wheels
2	Swivel Casters with 5" Diameter Wheels

Installation

- 1) Place the plastic box on the floor with the open end on the floor.
- 2) Position the plywood base on the plastic box so that it's outer 4 corner holes align with the threaded inserts in the box.
- 3) Insert (12) elevator bolts through plywood from bottom side up. Refer to figure 2.
- 4) Position a fixed caster's mounting plate on any 4 hole pattern of the plywood base.
- 5) Install (1) 3/8 hex machine screw through the outer corner hole of plate and base with flat and lockwashers into the box.
- 6) Loosely tighten the screw.
- 7) Install flat and lockwashers to the remaining (3) elevator bolts and loosely tightened with 3/8 locknut. Refer to figure 2.
- 8) Wrench tighten the fasteners until seated on the mounting plate, then advance the screw another 1/2 turn. **DO NOT OVERTIGHTEN BECAUSE DOING SO MAY STRIP THE THREAD.**
- 9) Install the second fixed caster on the same, narrow side of the box as the first caster (repeating steps 3 through 6).
- 10) Install the 2 remaining swivel casters at the opposite, narrow end of the plastic box (the same manner as the fixed casters).

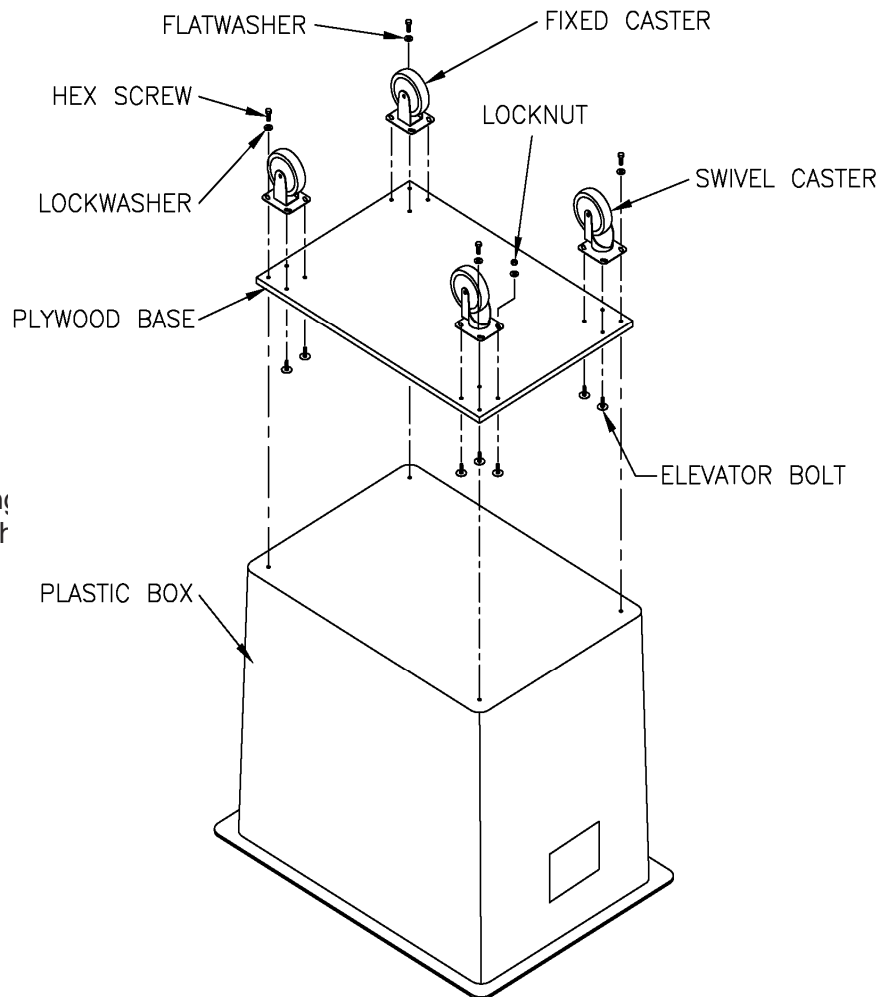


Figure 2