



## NTAL-SERIES PORTABLE TANK LADDERS USE & MAINTENANCE MANUAL



Single-section



2-section

### VESTIL MANUFACTURING CORP.

2999 NORTH WAYNE STREET, P.O. BOX 507, ANGOLA, IN 46703

TELEPHONE: (260) 665-7586 -OR- TOLL FREE (800) 348-0868

FAX: (260) 665-1339

URL: [WWW.VESTILMFG.COM](http://WWW.VESTILMFG.COM)

EMAIL: [SALES@VESTIL.COM](mailto:SALES@VESTIL.COM)

**NOTE:** Compliance with regulations, codes, and/or statutory (non-voluntary) standards enforced in the location where the ladder is *used* is exclusively the responsibility of the end-user.

#### Table of Contents

Product Introduction.....	2
Safety Principles.....	2
Safety Guidelines.....	3
Inspections.....	3
Maintenance.....	4
Use instructions.....	5
Limited warranty.....	7

#### Table of Figures

FIG. 1 "NTAL-7 exploded parts diagram and parts list" .....	4
FIG. 2 "NTAL-10, -12, & -15 exploded parts diagram & parts list".....	4
FIG. 3 "Center your body over the central axis of the ladder".....	5
FIG. 4 "Proper orientation for use".....	5
FIG. 5 "Proper connection between hooks and wall".....	5
FIG. 6 "Label placement diagram".....	6

## PRODUCT INTRODUCTION

Thank you for purchasing a model NTAL “Portable tank ladder” made by Vestil Manufacturing Corporation (“Vestil”). Our ladders are durable, high-quality products that combine safety-conscious design features and rigorous engineering. Although use and maintenance procedures are relatively intuitive, all persons who might use or maintain this product must familiarize themselves with the instructions provided in this manual.

Standard design features include: durable welded steel construction; blue powder coat finish; non-slip features integrated into each rung; and rungs that lie above the plane of the siderails to allow for easier ascent and descent. Dimensions and other product specifications of offered models appear in the following table:

Model	Overall length in inches (~cm)	Number of rungs	Width in inches (~cm)		Net weight in pounds (~kg)	Maximum rated load in pounds (~kg)
			Overall	Usable		
NTAL-7	84 (213cm)	7	14 (35.6cm)	12 (9.5cm)	98 (45kg)	300 (~136kg)
NTAL-10	120 (305cm)	10	14 (35.6cm)	12 (9.5cm)	130 (59kg)	300 (~136kg)
NTAL-12	144 (366cm)	12	14 (35.6cm)	12 (9.5cm)	150 (68kg)	300 (~136kg)
NTAL-15	180 (457cm)	15	14 (35.6cm)	12 (9.5cm)	180 (82kg)	300 (~136kg)

## SAFETY PRINCIPLES

Employers are responsible for training employees to use the product properly. Therefore, each person who might assemble, use or maintain the product **must read this manual and fully understand the instructions BEFOREHAND. Failure to do so constitutes misuse of the product and automatically voids the “Limited Warranty” (see p. 7). If you do not understand an instruction, ask your employer/supervisor for clarification, because failure to adhere to the instructions might lead to serious personal injury or even death.** Although Vestil diligently strives to identify foreseeable, hazardous situations that might be encountered during normal use, this manual cannot address every conceivable danger. The end-user is ultimately responsible for exercising sound judgment at all times.

This manual uses SIGNAL WORDS to classify personal injury risks or situations that might lead to property damage, as well as to draw attention to safety message(s). The reader must understand that each signal word indicates the seriousness of the described hazard.



**Identifies a hazardous situation which, if not avoided, WILL result in DEATH or SERIOUS INJURY. Use of this signal word is limited to the most extreme situations.**



**Identifies a hazardous situation which, if not avoided, COULD result in DEATH or SERIOUS INJURY.**



**Indicates a hazardous situation which, if not avoided, COULD result in MINOR or MODERATE injury.**



**Identifies practices likely to result in product/property damage, such as operation that might damage the ladder.**

## SAFETY GUIDELINES

**Study the entire manual before using the product for the first time and as frequently as necessary** to refresh your understanding of the use, inspection and maintenance instructions in this manual. If questions remain after you finish reading the manual, ask your employer/supervisor for clarification.

**⚠ DANGER** Electrocutation might result if the ladder contacts electrified wires. Reduce the likelihood of electrocution by applying **common sense**:

- DO NOT *contact* electrified wires with any part of the ladder or yourself/your clothing while positioning or climbing the ladder;
- DO NOT use the ladder where the ladder or yourself might contact electrified wires;
- DO NOT use the ladder *close to* electrified wires or other sources of electricity;
- Before using the ladder, always inspect the usage area for unusual conditions that require special precautions.

**⚠ WARNING** Improper or careless use of this product might result in serious personal injuries sustained by the person using ladder or bystanders. Reduce the likelihood of serious injury by applying the following recommendations:

- DO NOT exceed the maximum rated load of your model NTAL (see product specifications table on p. 2). The total weight applied to the ladder (person climbing ladder + material) cannot exceed the maximum rated load.
- DO NOT attempt to resolve any problem with the ladder unless you are authorized to do so and are certain that it will be safe to use afterwards.
- DO NOT modify the ladder without first obtaining written authorization from Vestil. Modifying the ladder automatically voids the "Limited Warranty" (see p. 7), and more importantly, might weaken the ladder and/or make it unsafe to use.
- DO NOT climb the ladder if it does not hang properly from the wall (see FIG. 4 on p. 5). Safe use requires a structurally sound surface that is capable of supporting the combined weights of the ladder AND the maximum rated load.
- DO NOT lean over or reach beyond the siderails, because doing so might cause the ladder to tip or slide, or cause the rubber feet to lose contact with the wall. The rubber feet must maintain solid contact with the wall during use.
- Always keep your body centered above the central axis of the ladder while ascending and descending the ladder (see FIG. 3 on p. 5). DO NOT rock or twist the ladder from side to side or try to reposition the ladder while climbing it. ONLY reposition the ladder before beginning to climb it.
- Remove foreign matter, like mud or grease, from your shoes and from the surface of each rung before stepping onto the ladder.
- [2-section models] Inspect the fasteners (nuts and bolts), rubber feet, and structural elements (siderails and rungs) BEFORE each use for damage, such as: unusual wear, deterioration, corrosion, or warping. DO NOT use a structurally damaged ladder. Examples of structural damage include: broken siderails, broken rungs, and holes in rungs or siderails produced by rust or corrosion. To confirm that the ladder is in satisfactory condition, inspect the ladder before each use according to the "Inspections" instructions below. DO NOT use the ladder unless it passes every element of the inspection. Tighten all loose fasteners (bolts, nuts) that are in good condition; replace worn and damaged parts BEFORE returning the ladder to service.
- ALWAYS face the steps while ascending or descending the ladder.
- DO NOT stand beneath or travel under the ladder while someone is climbing it.
- Verify the placement and legibility of all safety labels. Labels are shown in FIG. 6 on p. 6. If any label becomes damaged or unreadable, contact Vestil for a replacement(s).

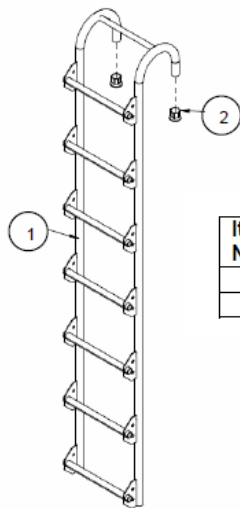
### Inspections

Before each use, maintenance personnel should inspect the listed components. DO NOT use the ladder if maintenance personnel conclude that any of the conditions identified below (or others that are obvious but nonetheless not specifically identified) affect the integrity of the ladder or make it unsafe to use:

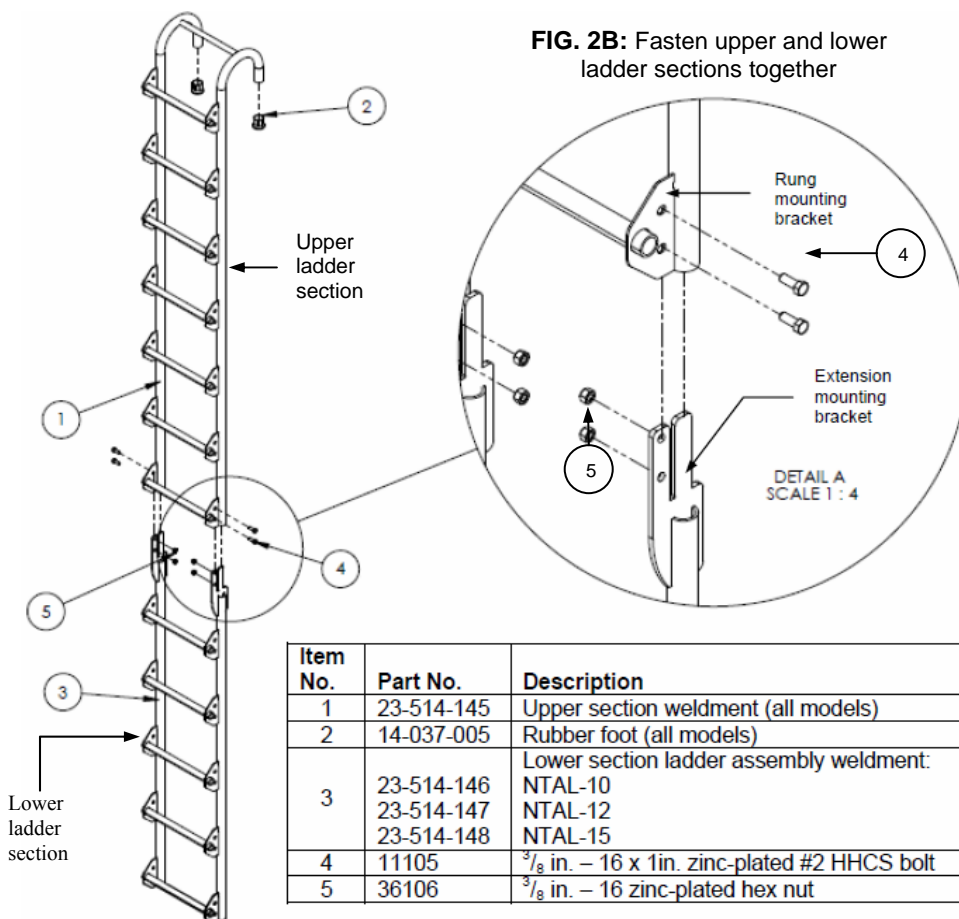
1. Rungs, rung mounting brackets, and extension mounting brackets (see FIG. 2 on p. 4): each rung should be dry and clean, i.e. free of grease and other debris that might make it slippery. Confirm the satisfactory condition of each: a) rung; b) weld between rungs and rung mounting brackets; and each c) weld between the rung mounting brackets and siderails. Check the rungs, brackets and welds for warps, cracks, rust, corrosion, etc.
2. Hook arms: confirm that hooks retain their original shape and that the steel is sound (no cracks, warps, etc.).
3. Rubber feet: inspect the rubber foot attached to the end of each hook. Each foot should securely attach to the end of a hook and should not be excessively worn. If a foot is overly worn, torn, or punctured by the end of the hook, remove it and install a new, replacement rubber foot.
4. Siderails: check the rails and points of attachment to the rungs for warps, cracks, rust or corrosion.
5. Product labels: all labels should be readable and located as shown in the "Label placement diagram" on p. 6.

### Maintenance

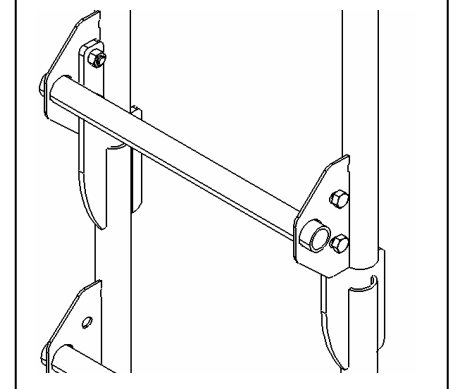
At least once per month, clean the ladder to remove dirt, grease, etc. from the rungs and siderails. For 2-section models (NTAL-10, -12, or -15), inspect bolts, nuts, and brackets; replace all damaged fasteners.

**FIG. 1: NTAL-7 exploded parts diagram & parts list**

Item No.	Part No.	Description	Quantity
1	23-514-145	Upper section weldment (all models)	1
2	14-037-005	Rubber foot (all models)	2

**FIG. 2: NTAL-10, NTAL-12, & NTAL-15 exploded parts diagram & parts list**

Item No.	Part No.	Description	Quantity
1	23-514-145	Upper section weldment (all models)	1
2	14-037-005	Rubber foot (all models)	2
3	23-514-146	Lower section ladder assembly weldment: NTAL-10	1
	23-514-147	NTAL-12	1
	23-514-148	NTAL-15	1
4	11105	$\frac{3}{8}$ in. - 16 x 1 in. zinc-plated #2 HHCS bolt	4
5	36106	$\frac{3}{8}$ in. - 16 zinc-plated hex nut	4

**FIG. 2C: Connection between upper and lower ladder sections****Assembly Instructions (NTAL-10, -12, & -15 models): Fasten upper and lower ladder sections together**

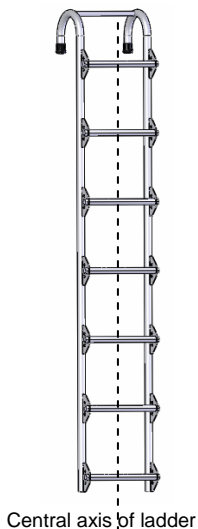
1. Lay both sections on the ground and orient them with rungs facing upwards;
2. Press the extension mounting brackets (lower ladder section) into the openings in the siderails of the upper ladder section (see FIG. 2B, above);
3. Align the bolt holes in the rung mounting bracket with the holes in the extension mounting bracket (as shown in FIG. 2C the extension mounting bracket will be inside the rung mounting bracket); AND
4. Feed a bolt (item no. 4) through each of the aligned bolt holes;
5. Secure the free end of each bolt with a hex nut.

### Use Instructions

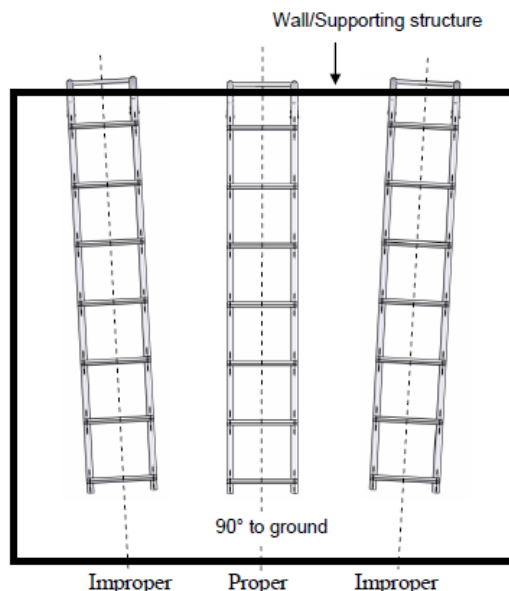
To use the ladder properly:

1. Only hook the ladder to a structure capable of supporting the combined weight of the ladder and the maximum rated load (see "Product Information" table on p. 2).
2. If the ladder is hooked to a lip, for instance, at the top of a wall/tank, the lip must be at least 3 inches tall (see FIG. 5) to achieve a secure connection. BOTH rubber feet should firmly contact the surface of the wall.
3. The ladder should hang properly while in use. As shown in FIG. 4, the central axis of the ladder should be 90° to the ground. If the shape of a wall prevents the ladder from hanging properly, DO NOT use the ladder to climb that wall.
4. Climb straight up the ladder, keeping your body centered above the central access. ONLY 1 person at a time should use the ladder.

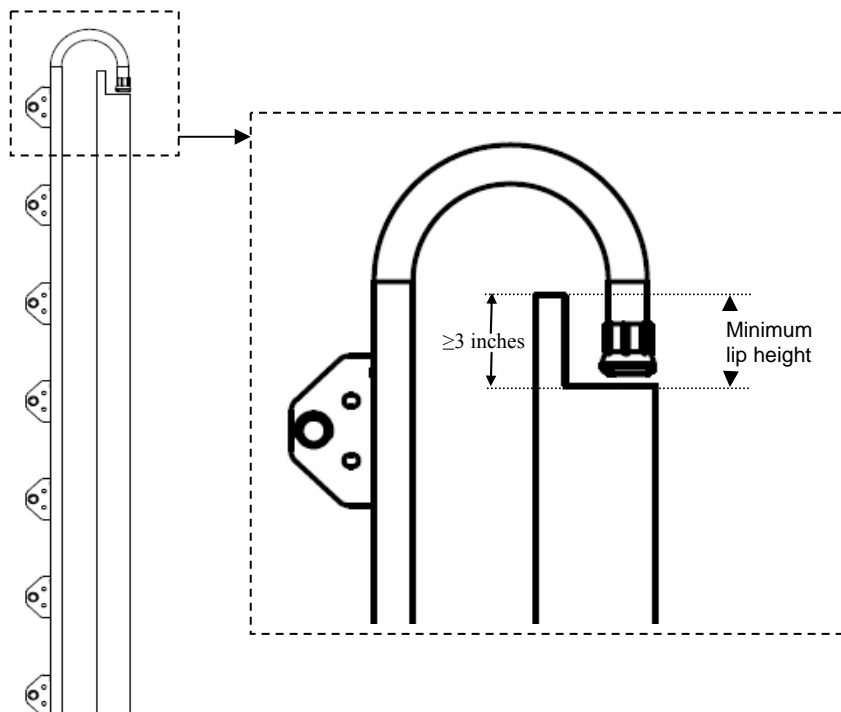
**FIG. 3:** Center your body over the central axis of the ladder



**FIG. 4:** Proper orientation for use



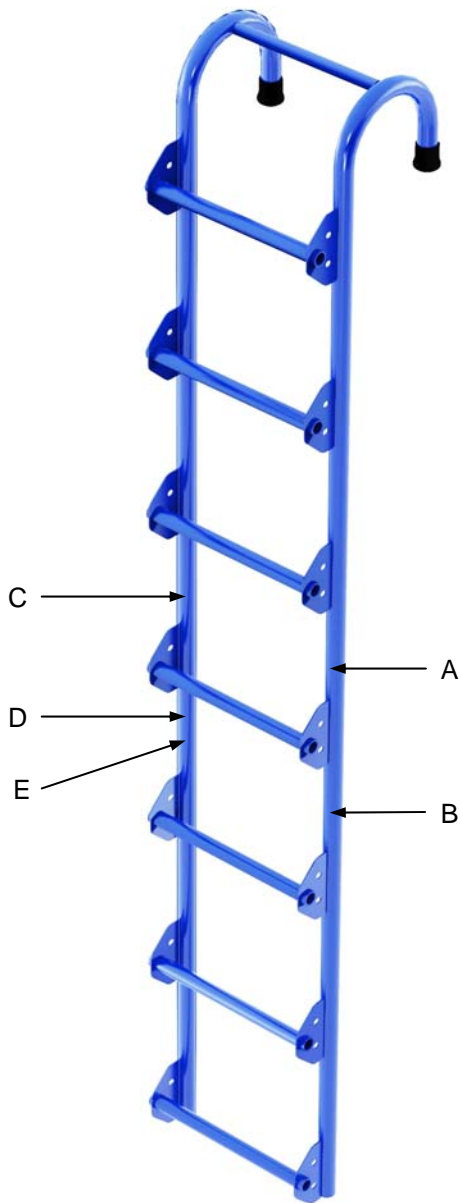
**FIG. 5:** Proper connection between hooks and wall [NOTE: Lip height should be AT LEAST 3 inches]



Model	Maximum wall thickness		Minimum lip height		Maximum wall height	
	Inches	Centimeters	Inches	Centimeters	Inches	Centimeters
NTAL-7	6	(15¼ cm)	3	7.6	83	211
NTAL-10	6	(15¼ cm)	3	7.6	113	287
NTAL-12	6	(15¼ cm)	3	7.6	133	338
NTAL-15	6	(15¼ cm)	3	7.6	163	414

**FIG. 6:** Label placement diagram

[NOTE: if a label is unreadable or missing, contact Vestil to order a replacement]



A (Label #729)



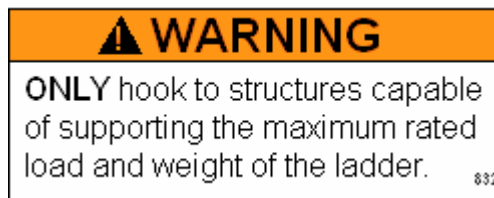
B (Label #287)



C (Label #821)



D (Label #832)



E (Label #203-1)



## LIMITED WARRANTY

Vestil Manufacturing Corporation ("Vestil") warrants this product to be free of defects in material and workmanship during the warranty period. *Our warranty obligation is to provide a replacement for a defective original part if the part is covered by the warranty, after we receive a proper request from the warrantee (you) for warranty service.*

### Who may request service?

Only a warrantee may request service. *You are a warrantee if* you purchased the product from Vestil or from an authorized distributor AND Vestil has been fully paid.

### What is an "original part"?

An original part is a part used to make the product as shipped to the warrantee.

### What is a "proper request"?

A request for warranty service is proper if Vestil receives: 1) a photocopy of the Customer Invoice that displays the shipping date; AND 2) a written request for warranty service including your name and phone number. Send requests by any of the following methods:

Mail  
Vestil Manufacturing Corporation  
2999 North Wayne Street, PO Box 507  
Angola, IN 46703

Fax  
(260) 665-1339  
Phone  
(260) 665-7586

Email  
sales@vestil.com

In the written request, list the parts believed to be defective and include the address where replacements should be delivered.

### What is covered under the warranty?

After Vestil receives your request for warranty service, an authorized representative will contact you to determine whether your claim is covered by the warranty. Before providing warranty service, Vestil may require you to send the entire product, or just the defective part or parts, to its facility in Angola, IN. The warranty covers defects in the following original dynamic components: motors, hydraulic pumps, electronic controllers, switches and cylinders. It also covers defects in original parts that wear under normal usage conditions ("wearing parts"), such as bearings, hoses, wheels, seals, brushes, and batteries.

### How long is the warranty period?

The warranty period for original components is 90 days. The warranty period begins on the date when Vestil ships the product to the warrantee. If the product was purchased from an authorized distributor, the period begins when the distributor ships the product. Vestil may extend the warranty period for products shipped from authorized distributors by up to 30 days to account for shipping time.

### If a defective part is covered by the warranty, what will Vestil do to correct the problem?

Vestil will provide an appropriate replacement for any covered part. An authorized representative of Vestil will contact you to discuss your claim.

### What is not covered by the warranty?

1. Labor;
2. Freight;
3. Occurrence of any of the following, which automatically voids the warranty:
  - Product misuse;
  - Negligent operation or repair;
  - Corrosion or use in corrosive conditions;
  - Inadequate or improper maintenance;
  - Damage sustained during shipping;
  - Accidents involving the product;
  - Unauthorized modifications: DO NOT modify the product IN ANY WAY without first receiving written authorization from Vestil. Modification(s) might make the product unsafe to use or might cause excessive and/or abnormal wear.

### Do any other warranties apply to the product?

Vestil Manufacturing Corp. makes no other express warranties. All implied warranties are disclaimed to the extent allowed by law. Any implied warranty not disclaimed is limited in scope to the terms of this Limited Warranty.

